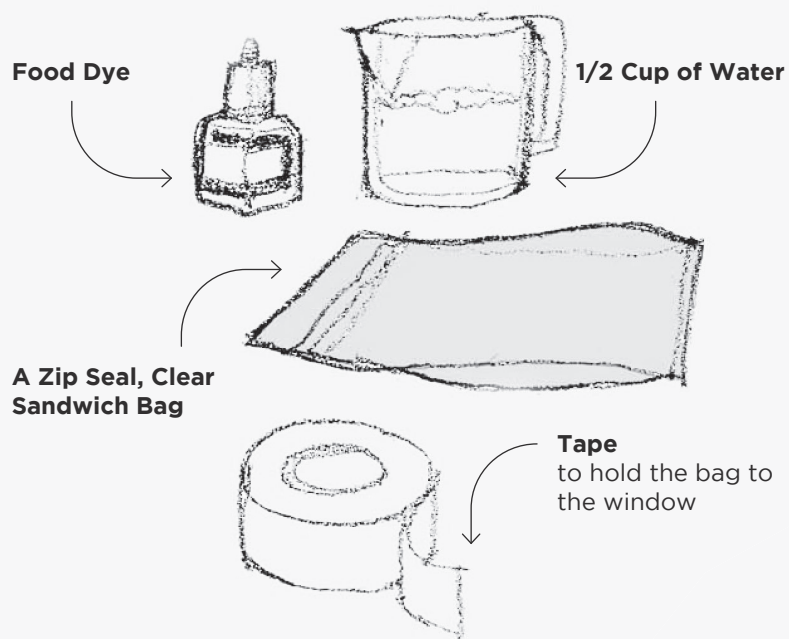


WEATHER EXPERIMENT

TASK

This experiment will show evaporation and condensation all powered by the sun.

WHAT YOU'LL NEED



1

Add a few drops of food dye to the water and mix.



2

Pour the dyed water into the sandwich bag and seal it.



3

Tape the bag to a south facing window. Watch the water evaporate in the day and condense over the night as the water cools.